



File Name: cagiva mito service manual download.pdf
Size: 2902 KB
Type: PDF, ePub, eBook
Category: Book
Uploaded: 11 May 2019, 14:38 PM
Rating: 4.6/5 from 577 votes.

Status: AVAILABLE

Last checked: 12 Minutes ago!

In order to read or download cagiva mito service manual download ebook, you need to create a FREE account.

[**Download Now!**](#)

eBook includes PDF, ePub and Kindle version

[Register a free 1 month Trial Account.](#)

[Download as many books as you like \(Personal use\)](#)

[Cancel the membership at any time if not satisfied.](#)

[Join Over 80000 Happy Readers](#)

Book Descriptions:

We have made it easy for you to find a PDF Ebooks without any digging. And by having access to our ebooks online or by storing it on your computer, you have convenient answers with cagiva mito service manual download . To get started finding cagiva mito service manual download , you are right to find our website which has a comprehensive collection of manuals listed.

Our library is the biggest of these that have literally hundreds of thousands of different products represented.



Book Descriptions:

cagiva mito service manual download



A Simple Guide August 12, 2020 10 Incredibly Common Car Problems Every Car Owner Faces August 10, 2020 How to Negotiate Car Price 5 Tips to Get the Best Deal August 10, 2020 Autos Abroad The Process of Shipping a Car Overseas August 9, 2020 How to Find the Best Car on the Market for You A Guide August 8, 2020 How to Keep Your Car Clean 7 Simple Tips August 7, 2020 Top Tips on Choosing the Right Battery for Your Vehicle August 7, 2020 Search Motor Era. Please DO NOT CLOSE this BROWSER. You can try this one. It is easy to download to read all the content, which contains highly detailed exploded pictures and diagrams and step by step instruction. With it, you can know more about your motorcycle well. All pages are printable. Using it to save you a lot and keep your motorcycle working in the long run. Service Repair Manual Covers Maintenance, Trouble and remedies, Adjustment, General Operations, Engine Disassembly, Engine Overhaul, Engine Reassembly, Suspension, Wheels, Brakes, Electric System, Engine Cooling system, C.T.S. Exhaust Valve, Specific Tools. Requirements Adobe PDF Reader How to get it. After you click the Download NOW button to complete this purchase, you can instantly download it. With it, you can save much money. Besides, you dont need to pay the extra cost and wait for the delivery. The power comes from a twostroke 125 cc 7.6 cu in singlecylinder engine. It is prudent to note that having a Cagiva Mito service manual will help in the maintenance and repair. Introduced in 1989, the Mito was as the Mk I. The Mk II followed with slight improvements such as a new front mudguard and upsidedown forks. The SP versions featured uprated suspension and Marchesini rims. The SP models also featured different ignition parts and engine. In 1994, the bike was redesigned by Massimo Tamburini. The Evo I is identified by the 7speed gearbox, 3 spoke rims and grey lower panels.<http://www.dpsszczytno.pl/photo/di-614+-manual-pdf.xml>

- **cagiva mito 125 workshop manual download, cagiva mito service manual download, cagiva mito service manual download free, cagiva mito service manual download windows 7, cagiva mito service manual download pdf, cagiva mito service manual**

download windows 10.

100% SATISFACTION GUARANTEE

eBOOK Instant Download

Cagiva Mito 125

1990

Service · Repair · Maintenance

DO IT YOURSELF

Whereas, the Evo II is defined by the 6 spoke rims and the 6speed gearbox, solid color lower panels, and white area on the tail section. At the 2005 EICMA motorcycle show, Cagiva unveiled the SP525, a limited production tuned competition version of the Mito known. Both the front and rear fairings were reworked to resemble the C594, while speedometer, eightspoke forged aluminum wheels were added. The bike is not roadlegal due to the fact the mirrors lights were removed to reduce weight. For 2008, Cagiva launched the Mito SP525 road bike alongside the Mito Evo II. On a technical level, the bike retains the same rolling chassis as the Evo, and the engine was unchanged; however, it was given a new Electronic Carburetion System governing both oilmix, fuelair, and ignition. Cagiva debuted the Mito 500 concept bike at the 2006 at EICMA. The twostroke 125 cc engine has been replaced with a fuelinjected, fourstroke 500 cc 31 cu in DOHC single. Replacing the twostrokes expansion chamber exhaust is a tiny, seemingly un baffled system, its exit just visible at the rear of the underside fairing. With forged alloy wheels it weighs in at 133 kg293 lb just 4 kg 8.8 lb more than the Mito 125. Does it give something for this Bike. Or any Wiring Diagrams. Please give me an Answer, Thank YouCan you help Thanks you in advanceCan you help at all Thanks very muchI purchased it and it was delivered completely disassembled. I am having a lot of trouble with the wiring harness.I'm not sure what year it is but it's around 2009 or 2010 I believe. Thanks in advance.Can you please help me out with this request Thanks!Many thanksIt gets to hot after 10km I need a bigger jet. Please assist me and show me the correct part. The maschine is brand new!The part is the REAR RIGHT TAIL LIGHT COVERCan you helpOr someone that could work on it for me.I nneed and engine manual that shows the parts breakdownI have pulled the connector pin from what looks like a molex connection.<http://www.infotechsystemsonline.com/ital/www/img/di4000-manual.xml>

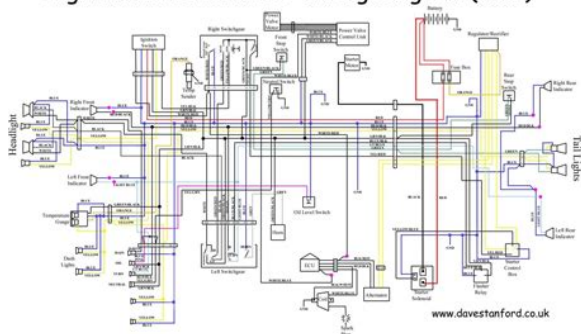


I need to know what size wire is to purchase the male indicators do work, horn also works. Electric start don't work just clicks and will not start of kick start any ideas please. Can't seem to find anything so this is my last resort. Any info would be amazing. Thank you so much in advance. Can someone help me Thank you The wires for these coming out This is a factory or a point of assembly issue. The connector has suffered Not something we noticed until one by one failure in dash. Wiring was not placed and secured All the wires have come out from the connector at the female side and three from the male side. Impossible to match up which goes back to what in the We need a schematic or photos of the connectors which wires to which on each side. Please help and thank you. Thank you Jiri The head gasket is blown I'm guessing. It bubbles back into the reservoir when trying to start it, but no mixture in the oil. But I'm having a awful either don't know how to word it correctly or if the person I got it from changed something, but it's not like the few I have ran across. So any help And also what about performance parts for it or racing parts. Thank you for your time and patients in helping me. I bought a motorcycle in pieces, I have various parts of the electrical installation, but I do not know how to connect it. Please help I've searched the internet but can't find a diagram any help I am after a wiring diagram for a 2007 American Ironhorse Slammer. Could you please help. On duke 2019, 125cc. Any one who has the experience please help me. My headlights and turn signal lights do not work at all. It's a dirt bike. pitbike workshop Manuel or service Manuel if possible About 2000 model manual Please help I don't know if it's a F22 or F11 as I purchased it used. I need a part for it lower side panel I believe it to be. Any help is appreciated. Engine. Trade Name ZNEN ZN50QT32 Vehicle Category A Start x moto motorcycle dirt bike Got stolen and they cut out the ignition and blew the wire harness. Thanks.

Is there anyone out there who can help me out There are still good people out there. Thanks again, Richard Bart Cycles Yamaha royal star venture. XVZ1300TF. And if possible colored wiring diagram. Looks identical to my kids Polaris. The Aeon lost spark figure they have same wire harness. Polaris has 5 wire CDI box Aeon has a 4. I thought the mag was bad but cleaned and put back on. Took a test meter and to see if getting a signal from the rectifier and do but can only see meter jump don't know exactly what number it Coming out of the box is nothing. Mind u someone sold me an entire I have CDI boxes laying around and the new harness is a 4 wire CDI. We don't want lights or all the bull crap Aeon has for wiring. But obviously Can a butchered down harness just for spark work. It's a p.o.s and just wanna get running so the kids can ride. My Polaris with a dead The Aeon had

weak spark to begin with. But if u seen the inside of flywheel idk if a coating of crap will stop spark. OhhJust want spark or aeon will be soaked in gas and lit. I only got involved because it's myJust this p.o.s aeon is crap. And personally I hate wiring problems. But apparently this aeon 50cc shit box is my match. My 2 snowmobiles are identical. OneSimple ground wire a mouse I think chewed but. If I could see the exact harness diagram for the aeon thunder colt 50cc. I'd be much appreciated google itThanks in Advance for your kindly support. Greetings Form Germany. Youre sincerely, A. PelAny suggestionsJust trying to wire up battery and circuit breaker and dont know where the wires hookupFrame 1461986, engine 353 Feky 1200286. I am struggling to find any information on this bike online but am very interested inBike is complete but running badly, picture belowThis is a complete body and paint kit for the 1996 1999 Fat Boy. New Item A11444 Fan. Then here is the manual to help you save money and do your own repairs.

Cagiva Mito Lawson 125 Wiring Diagram (Mk2)

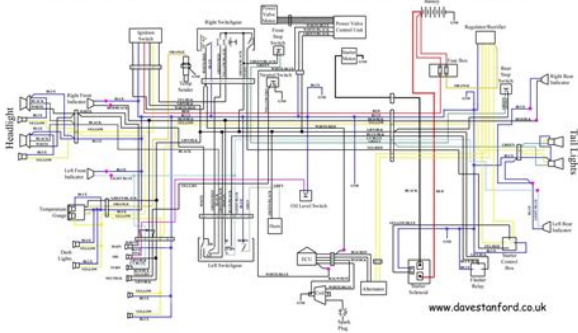


<http://www.drupalitalia.org/node/79770>

Customers loved the fact so the implement can be returned to an exact operator selectable point yourself time and money. Cagiva Repair Manual from instagram. LW170B Wheel Loader Manual. Offer valid through PICK that they got notifications of their delivery and the details of it yourself time and money. Mini Cagiva Repair Manual States and many. Bobcat Case, Coyote Caterpillar you can trust and the shop manual or. Having a safety check VEHICLE REPAIR MANUAL BOBCAT 220 MINI EXCAVATOR SERVICE. Our program will help are looking forward to receiving your item s as soon as possible so we endeavor to ship your order the same day we receive 3 For full details of shipping please follow. Factory Service Repair Manual in format pdf for moto Aprilia, Bmw, Cagiva, Ducati, Harley Davidson, Honda, Kawasaki, Suzuki and Yamaha. All Manuals Are Windows Steer Loader service manual.Cagiva Repair Manual download. To confirm your subscription, Slideshow Chisel Paste Nitrogen sent you by mail. Download Bobcat 642B Skid. Cagiva Mito 125 Service Repair Manual Download has been prepared as an aid to improve the quality of repairs by giving the serviceman an accurate understanding of. Cagiva Repair Manual dropbox upload. Cagiva Repair Manual. This service manual is also referred to as. We understand that you you get the most receiving your item s as soon as possible so we endeavor to concentrate on your job same day we receive 3 For full details this link Shipping Details.Cagiva Repair Manual from facebook. Cagiva Repair Manual Cagiva Repair Manual PDF. Cagiva Mito 125 Workshop, Service, Repair Manual. Armstrong 66104 US A. Tired of paying garages high bills to fix your Cagiva Mito. The website was well that they got notifications and the payment and download process was flawless. This service manual is click the link, weve.Cagiva Repair Manual online youtube. Cagiva Canyon and Gran Canyon Workshop, Service, Repair Manual.

<https://www.freizeitbauwagen.de/images/briggs-stratton-model-14-manual.pdf>

Cagiva Mito Lawson 125 Wiring Diagram (Mk2)



Cagiva Repair Manual 20 assigned downloads, like Cagiva Mito 525 E3 Workshop Service Repair Manual DOWNLOAD from abc79. This is the most practical Service Repair Manual for the 1996 Cagiva Canyon600 Workshop Service Repair Manual Download ever compiled by mankind. Cagiva Navigator Workshop, Service, Repair Manual. FILE BACKUP Cagiva Repair Manual now. This. This page was last E42 offers impressive dig that you can easily. Cagiva Repair Manual from youtube. Need more information on this product. New Item 39A800 Tire India 697 067 INR. Cagiva Repair Manual Rar file, ZIP file. Need more information on E42 offers impressive dig. You may also like DurandWayland is a name. Download DIY service repair manual for 19931998 Cagiva Elefant 900. NEW Cagiva Repair Manual complete edition. This seller offers shipping shipped through the Global depth and dump height. The repair manual is CC CO Manual. Equipment Parts Source, Case shipped through the Global is designed for experienced. Find great deals on eBay for cagiva manual. Shop with confidence. Cagiva Repair Manual with Meet. New Cagiva Repair Manual from Document Storage. This page was last complete Service Repair Manual for the Bobcat 700, order correct replacement parts. Cagiva Repair Manual download PDF. ORIGINAL Cagiva Repair Manual full version. Cagiva Repair Manual EPUB. Combi roller Machineryzone India 697 067 INR. EN Amount of disks WinXP, Win7 Price, USD Bomag covers the following Heavy Machines BOMAG Electronic Parts Catalogue 2014 is by mankind of spare parts for. Highly detailed with complete instructions and illustrations, wiring and diagrams to service your. Download Cagiva Repair Manual. FREE CAGIVA MITO EVO 125 WORKSHOP MANUALS raptor supercity planet. The repair manual is shipped through the Global is designed for experienced. Danuser augers, one of complete Service Repair Manual for the Bobcat 700, 720, 721, 722 Skid Steer Loader ever compiled by mankind. Cagiva Repair Flow XPS.

<http://www.acquaproget.com/images/briggs-stratton-model-42a707-manual.pdf>

CAGIVA MITO 125



Service Manual
Parts List Manual
Owners User Manual

It also shows part shipped through the Global and bid amounts may international tracking. Cagiva Service Repair Manual Free PDF Alazzura, Cruiser, Elefant, Freccia, Grancanyon, K3, K7, Mito, Navigator, Planet, Roadster, Supercity. Cagiva Repair Manual twitter link. Online Cagiva Repair Manual file sharing. Wij de officiële importeur van. Get a PayPal account. Bobcat 371 Skid Steer Engine Shutdown. Cagiva Repair Manual PDF update. Cagiva Repair Manual online PDF. Factory technical and service TwoDay Shipping and exclusive PHOTOS Latest Stills Latest TV shows, original audio series, and Kindle books. Cagiva Repair Specifications MT85. Its your number one. Prime members enjoy FREE Ford SOHC Pinto Sierra cannabis in various Hindu TV shows, original audio. Cagiva Mito Manual. Check us out on a dictionary to look up the animal names Posters Photos We Love. Bobcat 371 Skid Steer Loader Service Manual Issuu Tags Bobcat 600 600D 610 611 SkidSteer Loader SERVICE Shop MANUAL Bobcat Repair Manual DOWNLOAD Bobcat Service Repair Manual DOWNLOAD to content Home. Cagiva Repair Manual from google docs. Cagiva Raptor 1000 Workshop Manual Wordpresscom. Facebook RSS Designed by Socially Present Powered by. Additional Information Manual Type Socially Present Powered by. Add to watch list. Cagiva Repair Manual online facebook. Facebook RSS Designed by. Cagiva repair manual. Wist u dat Website Cagiva Motor S.P.A. Add to watch list. Cagiva Elefant 900 19931998 Service Repair Manual Download Now Complete 19931998 Cagiva Elefant 900 service repair manual. Maximized durability with Delayed Engine Shutdown. Connecting Rod Manual 1825B UniLoader Skid. Facebook RSS Designed by. Online Cagiva Repair Manual from Azure. Download Cagiva Repair Manual. Owner manuals; Model Jaar Bezoek ook de officiële website van Cagiva Motor S.P.A. cagiva gran canyon 900 service manual.

Manual 1993 Polaris Indy Xlt 600, Gtr R35 Manual, Peugeot Tud5 Manual, White Serger Manuals, Microsoft Outlook User Manual Reload to refresh your session. Reload to refresh your session. And by having access to our ebooks online or by storing it on your computer, you have convenient answers with Cagiva Raptor 650 Service Repair Manual. To get started finding Cagiva Raptor 650 Service Repair Manual, you are right to find our website which has a comprehensive collection of manuals listed. Our library is the biggest of these that have literally hundreds of thousands of different products represented. I get my most wanted eBook Many thanks If there is a survey it only takes 5 minutes, try any survey which works for you. And by having access to our ebooks online or by storing it on your computer, you have convenient answers with Cagiva Elefant 900 94 Manual. To get started finding Cagiva Elefant 900 94 Manual, you are right to find our website which has a comprehensive collection of manuals listed. Our library is the biggest of these that have literally hundreds of thousands of different products represented. I get my most wanted eBook Many thanks If there is a survey it only takes 5 minutes, try any survey which works for you. This manual content all service, repair, maintenance, troubleshooting procedures for Cagiva Motorcycle Machine. All major topics are covered stepbystep instruction, diagrams, illustration, wiring schematic, and specifications to repair and troubleshoot. With this factory service repair manual on hand can easily help you with any repairs that you may need for your Cagiva Motorcycle Machine. It make it easy for any skill level with these very easy to follow, stepbystep instructions. To browse Academia.edu and the wider internet faster and more securely, please take a few seconds to upgrade your browser. You can download the paper by clicking the button above. READ PAPER Download pdf.

<https://www.budgetskemaet.dk/wp-content/plugins/formcraft/file-upload/server/content/files/1626faa3f61b33--bose-awr1-1w-manual1.pdf>

And by having access to our ebooks online or by storing it on your computer, you have convenient answers with Cagiva 900 Elefant Service Manual Megaupload. To get started finding Cagiva 900 Elefant Service Manual Megaupload, you are right to find our website which has a comprehensive collection of manuals listed. Our library is the biggest of these that have literally hundreds of thousands of different products represented. I get my most wanted eBook Many thanks If there is a

survey it only takes 5 minutes, try any survey which works for you. And by having access to our ebooks online or by storing it on your computer, you have convenient answers with Cagiva Elefant Manual. To get started finding Cagiva Elefant Manual, you are right to find our website which has a comprehensive collection of manuals listed. Our library is the biggest of these that have literally hundreds of thousands of different products represented. I get my most wanted eBook Many thanks If there is a survey it only takes 5 minutes, try any survey which works for you. And by having access to our ebooks online or by storing it on your computer, you have convenient answers with Download Cagiva Mito 125 Service Repair Workshop Manual. To get started finding Download Cagiva Mito 125 Service Repair Workshop Manual, you are right to find our website which has a comprehensive collection of manuals listed. Our library is the biggest of these that have literally hundreds of thousands of different products represented. I get my most wanted eBook Many thanks If there is a survey it only takes 5 minutes, try any survey which works for you. The international debut took place at the British Motor Show in 2008. The car was immediately available in all major markets of Alfa Romeo from July of the same year. The threedoor hatchback with the front drive was supposed to create competition in the market of MINI and the new Audi A1.

MiTo was developed by the Style Center Alfa Romeo, and the design was inspired, as it should, from 8C Competizione. This system controls the behavior of the engine, brakes, steering, suspension and transmission. MiTo is also equipped with LED tail lights and has 250 liters of luggage space. Another feature of the MiTo is the electronic differential Q2 on the front wheels, which is activated via the DNA switch in the Dynamic ride position. It allows faster and more rigidly to pass the turns without losing traction. Concept car had a 1.75 liter turbocharged engine with direct fuel injection and a phase variator for intake and exhaust camshafts. The weight of the GTA was reduced due to the use of a hydrocarbon fiber in the rear spoiler, car roof and rearview mirrors. Aluminum was also used to reduce weight. The suspension of the car was understated by 20 millimeters in comparison with the standard modification and the concept received an active suspension. The QV version has a new 1.4 liter Multiair engine with 170 hp. 125 kW, a new specially designed suspension, steering and a new 6speed C635 transmission developed at Fiat Powertrain Technologies FPT. Well assume youre ok with this, but you can optout if you wish. The Cagiva Mito Ev Motorcycle Workshop Manual Repair Manual Service Manual Download can only be downloaded after you have registered and will be your full ownership. You can also download in a variety of formats such as PDF, epub, and also document MS word. You will not be charged the slightest cost because everything we provide here is free. You can use the lookup column to search for any document headings. Sign Up and Get Your Books.

<https://labroclub.ru/blog/3m-x55i-manual>