

## **campbell hausfeld generator 6000 manual**

---



**File Name:** campbell hausfeld generator 6000 manual.pdf  
**Size:** 3022 KB  
**Type:** PDF, ePub, eBook  
**Category:** Book  
**Uploaded:** 5 May 2019, 16:29 PM  
**Rating:** 4.6/5 from 740 votes.

**Status: AVAILABLE**

Last checked: 15 Minutes ago!

**In order to read or download campbell hausfeld generator 6000 manual ebook, you need to create a FREE account.**

**[Download Now!](#)**

eBook includes PDF, ePub and Kindle version

[Register a free 1 month Trial Account.](#)

[Download as many books as you like \(Personal use\)](#)

[Cancel the membership at any time if not satisfied.](#)

[Join Over 80000 Happy Readers](#)

### **Book Descriptions:**

We have made it easy for you to find a PDF Ebooks without any digging. And by having access to our ebooks online or by storing it on your computer, you have convenient answers with campbell hausfeld generator 6000 manual . To get started finding campbell hausfeld generator 6000 manual , you are right to find our website which has a comprehensive collection of manuals listed. Our library is the biggest of these that have literally hundreds of thousands of different products represented.



## Book Descriptions:

# campbell hausfeld generator 6000 manual



Please read and save these instructions. Read carefully before attempting to assemble, install, operate or maintain the product described. Protect yourself and others by observing all safety information. Generators These generators are powered by aircooled four cycle engines and designed for home use. Unpacking. When unpacking, inspect carefully for damage. General Safety Retain all manuals for future use. Never operate this generator under any circumstances. Refer to the section entitled "Do not operate this generator" for more information. Shut off the generator before refueling. Never operate this generator with the fuel tank open. Do not refill the fuel tank while the generator is running. Never mix oil with gasoline. Operation Ground Fault Interrupters can protect your generator from a Ground Fault. Interrupter may be required by local codes. Refer to the section entitled "Ground Fault Interrupters" for more information. The following are ground sources: Other ground sources may be found in your home. Code and local regulations for further information. If not sure, consult a licensed electrician. Watts Any rod or pipe used for grounding must be bonded to the ground. Wire. Wire. Wire Engine speed is 3600 RPM. Never attempt to adjust the engine speed. Refer to the following chart for more information. The 240 volt receptacles are rated 15A. NOTE Power draw can be calculated by multiplying the voltage by the amperage. Never exceed the posted maximum capacity. Refer to the owner's manual for more information. Watts. Load Device. Air conditioner Automatic washer Brooder. Skillet. Watts Toaster As Rated. Large hand saw If actual watt ratings are not available, remember that devices which generate heat should not be used. Long power cords and extension cords Refer to the chart provided for more information. If the circuit is overloaded, the generator will shut off. Repeated cycling NOTE It is important to keep the generator in good working order. Installation for Standby Use Precautions must be taken to prevent fire and injury. Always shut off the generator before refueling. Installation of the generator Maintenance Whenever the generator is stored, be sure to clean it. Refer to the engine manual that came with the generator for more information. Never tamper with the generator. Limited Warranty Units used for rental or commercial purposes are warranted for 90 days from date of purchase. Harrison, Ohio, 45030. Telephone 513 3674811. C. Any failure that results from an accident, purchaser's abuse, neglect or failure to operate products in accordance with instructions provided in the owner's manuals supplied. D. Predelivery service, i.e. assembly, oil or lubricants, and adjustment. E. Normal adjustments which are explained in the owner's manuals provided with the product, i.e. belts, pressure switch. F. <http://db-tube.com/userData/board/directv-remote-rc34-manual.xml>

- **campbell hausfeld 6000 watt generator manual, campbell hausfeld generator 6000 manual, campbell hausfeld generator 6000 manual pdf, campbell hausfeld generator 6000 manual download, campbell hausfeld generator 6000 manual generator, campbell hausfeld generator 6000 manual instructions, campbell hausfeld generator 6000 manual.**



Items or service that are normally required to maintain the product, i.e. lubricants, filters and gaskets. G. Electric motor and gasoline engine components are expressly excluded from coverage under this limited warranty. Such components should be returned by the purchaser to Freight costs, if any, must be borne by the B. Use reasonable care in the operation and maintenance of the products as described in the owner's manuals. B. If the purchaser does not receive satisfactory results from the Authorized Service Center, the purchaser should contact the Campbell Hausfeld Product Service Department see This Limited Warranty gives you specific legal rights and you may also have other rights which vary from state to state. Troubleshooting Chart. Symptom. Alternator field is not energized. Low output voltage with no load. High output voltage with no load. Low output voltage under load. Erratic output voltage. Noisy operation. Possible Causes. Corrective Action Test load devices for shorts. Replace Rotor. Yellow. Stator Receptacle White. Main. Winding Red. Red. Circuit Breaker. Green. Gn. Blk. Control. Panel. Models. Only. Winding Receptacle Gn. Capacitor. Excitation. Winding. Idle Control. Circuit Board. Idle Control Control. Magnet. Models Only. Figure 1 Generator Wiring Diagram For Dual Voltage Models. White. Rotor. Stator. Main Winding Nema 515R. Black. Main Winding Field. Figure 2 Generator Wiring Diagram For Single Voltage Models Lamp Dim. For testing of rotor, stator, or field Lamp Bright. Figure 3 Diode Test Procedure Notes IN626701AV Operating instructions. For these purposes we created a catalog system, where all documents, that we have, are sorted by device name. The Campbell Hausfeld Air Compressor manuals are sorted by popularity among Guidessimo users by the number of downloads and views on our website. We've shipped over 1 million orders Campbell Hausfeld Pressure Washer parts that fit, straight from the manufacturer. Operating Instructions and Parts Manual.

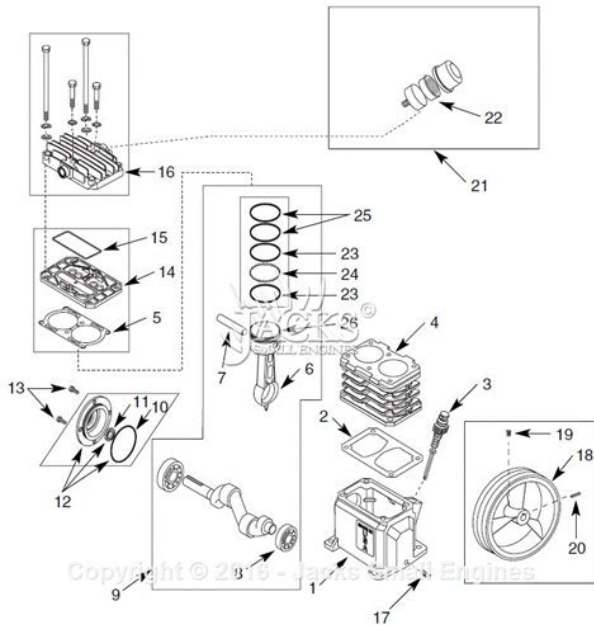
PW150100. <http://askaudit.ru/directv-remote-rc64rb-manual.xml>



Campbell Hausfeld Electric. Powered Pressure Washer. Description. Orders will continue to ship. We have the Campbell Hausfeld Generator Parts you need, with fast shipping and great prices. For power equipment parts and accessories, think Jacks! We also have several service and parts manuals for download. To learn more or opt out, read our Cookie Policy. Please also read our Privacy Notice and Terms of Use, which became effective December 20, 2019. The electricity is out, the silence is deafening, and all you can do is sit and wait. Fortunately, in most cases, the electricity is restored in less than an hour. But if you live in an area where power outages occur often or if they last for

prolonged periods, losing power is much more than just an occasional inconvenience. In a very short time, a house can become bitterly cold in winter and suffocatingly hot during And for a household that relies on a well pump, a loss of electricity means no water for drinking, bathing, or flushing the toilet. But there is a way to take charge of the situation and keep much of your home up and running until the power is restored. The most practical way to beat the blackout blues is to create your own power with a portable gasolinefired generator. The next step is to hook the generator directly to the circuits in your home with an electricaltransfer switch. Smaller, more affordable generators are available, but they can only handle one or two small appliances. A 5,000W unit is large enough to power several circuits, including most refrigerators and freezers, and it will run up to 10 to 12 hours on its 7gallon tank of gas. Most 5,000W generators weigh between 150 and 200 lbs., making them virtually impossible to move by yourself.It allows homeowners to use a portable generator to safely run several electrical circuits, including a furnace or well pump.

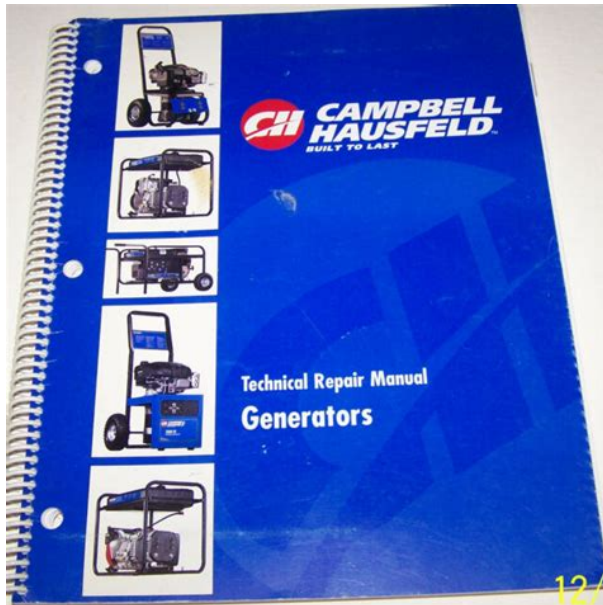
The transfer switch is installed beside the main electrical panel, then its connected to the appliances and circuits you think you'll want running during a blackout. Its important to keep track of whats being powered because the transfer switch typically is wired into more circuits than the generator can handle all at once. Plus, overloading the circuits can shorten the life of an appliance and burn out its motor. Carefully read the owners manual that comes with the generator. Some manufacturers recommend operating the unit at no more than 80 percent of full capacity. For example, GenTran makes several transfer switches and each has a maximumwattage capacity.A typical installation will only take about an hour. Our job was a bit more complicated because it included the installation of a power inlet box. Still, its an investment that will be fully appreciated the next time the power goes out. Also listed are the number of watts needed to start up appliances that have motors. When using any generator for emergency power, be sure that the total running watts and starting watts of all the appliances For example, powering a 3,000W electric water heater with a 5,000W generator leaves you barely enough juice to run your coffeemaker. And remember, an 800W refrigerator will require an additional 2,300 watts each time the compressor kicks on. These personal power plants come in various sizes up to 40,000W, and run on natural gas, propane, or diesel fuel. They get installed outside on a concrete slab or pier blocks and are wired through a transfer switch to the main electrical panel. When the power goes out, theres a slight delay of 15 to 20 seconds, then the generator automatically kicks on and continues running until power is restored. Disregard any price quote given by an electrician who hasnt personally inspected your electrical system and site. Dirigenten takkede for valget og konstaterede at generalforsamlingen var lovligt indkaldt.



<https://formations.fondationmironroyer.com/en/node/8808>

Beretningen afstedkom en del diskussion om vandforbrug, stophaner og vandmalere. Beretningen blev godkendt. Isr fylder tvister og uenigheder i visse lokalforeninger meget i hovedbestyrelsens arbejde. Det var der og kasseren redegjorde for regnskabet. Okonomien udvikler sig som forventet. Arsrapporten blev godkendt De globale klimaforandringer betyder at verdenshavene over en arrkke vil stige og at vi vil opleve flere og kraftigere regnskyl. Vi kan ikke ndre pa den lave beliggenhed eller vende udviklingen sa vi kan ikke fjerne problemet, men vi kan gore en indsats for at begrnse konsekvenserne. Bestyrelsen og medlemmer i foreningen har i aret lob diskuterer udfordringerne og udarbejdet et katalog over losningsmuligheder. Kataloget var udsendt sammen med indbydelsen og kan findes pa foreningens hjemmeside. Kasper Bak og Sara Asmussen gennemgik udfordringerne og redegjorde for de forskellige scenarier og fremlagde de udsendte losningsmuligheder. Dette medforte en del debat og der blev derefter gennemfort en vejledende afstemning hvor medlemmerne kunne tilkendegive deres holdning til de forskellige losningsmuligheder. Til bestyrelsen blev valgt Formand Erik Tingsoe, Elvervngt 27. Bestyrelsesmedlem Mads Willads Petersen, Elvervngt 2. 2. Suppleant Jytte Borch, Dvrgebakken 36. Deltager Ole Mathiesen, Elvervngt 8. Suppleant Jacob Soborg Andersen, Elvervngt 4. Suppleant Kirsten Fraenkel, Nokkevangen 12. April 2010. Protect yourself and others by observing all safety information. Retain instructions for future reference. It is designed to run at maximum RPM and give a continuous wattage as rated. Make sure any loose fittings, bolts, etc., are tightened before putting unit into service. Retain all manuals for future reference. Never operate this generator under conditions not approved by the manufacturer. Never attempt to modify this generator to perform in any manner not intended by the manufacturer.

<https://acbc.wa.edu.au/images/brother-fax-1020-manual.pdf>



Refer to the section entitled "Grounding Instructions" for proper grounding procedures. The generator must not slide or shift during operation. Loose clothing or jewelry may become entangled in moving components, causing equipment damage and or personal injury. Attach it to this manual or file it for safekeeping. The most important purpose of a UML diagram is to help architects and engineers in the process of building. To guarantee precision, the diagrams should be drawn using the precise format. This may be achieved by providing the information required. The parts of a UML diagram to include the items that are in its definition. The elements included in the diagram are boxes with dimensions like width, height, width and thickness, accessories, borders, and labels. At the center of every box there should function as subitems and their measurements. Boxes are made and explained in terms of their components. There is 1 element for each component. The names of these items or features are supplied with their dimensions in the mailbox. This enables easy reference and the correct positioning of these elements. Subitems are also defined using tags. Every subitem has one label in the ideal place. The diagrams help in identifying the elements and their rankings. Additionally, it offers a simple means to obtain the dimensions and their measurements. The most crucial thing in designing a UML diagram is the tag. It is the reason of earning things simple for individuals. The labels can be in the shape of rectangles with several additional shapes. The choice is dependent upon the content and purpose of this diagram. The rectangles used in the diagrams need to have a very simple description of what theyre used for. It is also quite valuable in creating the tools utilized by the architects and engineers. The components mentioned above must be correctly positioned and their contents will need to be clearly explained. The components must also be labeled.

<http://floreswindows.com/images/brother-fax-1020e-manual.pdf>



There are two means of producing a UML diagram. The first technique is known as visual screen. The diagram is easily created by picking the arrangement and sizes of this subitems. Its usually a design which takes a rectangle up which contains everything in its specific place. There is an outline of those items which will be contained. In the illustration, there are boxes and they have not been correctly described. To read more about the cookies we use, see our privacy policy. Always consult your user manual for exact operating and maintenance solutions. Never use an E85 fuel or a mixture of oil and gasoline designated for two cycle engines. Utilizing a higher grade premium fuel will not yield any increase in power output or improved performance. Aftermarket conversion kits are available on the internet. However, if a customer decides to convert the fuel using an aftermarket kit, the warranty is void. Following the manufacturers recommendations, treat the quantity of fuel remaining in the fuel valve and operate the engine for 30 minutes. Close the fuel valve and operate until the engine stops. This circulates treated fuel through lines and carburetor. The fuel can be drained or left in the tank. The treated fuel can then be left in the tank. Fuel can be removed through the fill opening using an automotive style siphon. Exercise all appropriate cautions when handling fuel. Air space is required to allow for expansion of the gasoline during warmer temperatures. So the actual amount of gasoline that will fit in the tank is typically less than the stated fuel tank capacity. Following the fuel stabilizer manufacturers recommendations, treat the quantity of the fuel remaining in the fuel tank. Open the fuel valve, start and operate the engine for 30 minutes. The fuel can be drained or left in the tank. After the service has been preformed, does anything need to be done to the hourmeter This includes oil changes at 100 hours or air filter service at 200 hours.

As hours of operation continue to accumulate, the hourmeter will automatically reset itself until the next 100 or 200 hour service interval is reached. See the Hourmeter section of your owners manual for additional information. The hourmeter on some generator models have a reset button that allows the operator to move between maintenance intervals and reset intervals by holding the reset button for nine seconds. NOTE Not all generator models have a reset button. However, portable generators are intended to be used during extreme weather and for the sensitive electronics on them, it is best if some sort of open covering can be used to protect it from direct rain or snow. Great options would be a car port or boat canopy with four open sides or a tarp hung from a tree. It is very important to provide adequate ventilation for the generator, so any sort of protection should be at least five feet from any side including the top of the unit while in use. Additionally, a portable generator should always be stored inside when not in use to prevent unnecessary wear and tear. BE ADVISED, the generator should NEVER be used in any enclosed space including, without limitation, a shed, home, garage, trailer, or vehicle, even if the doors are left open, as this can be a serious fire hazard and carbon monoxide risk. When the generator is turned off, you can only connect electrical devices that are turned off. When the generator is turned on, you may connect electrical devices that are turned on or off. Starting the unit monthly will help make sure that the generator is ready to turn on in the event of an outage. Should I unplug my electrical devices First, turn off all appliances, lights and items being powered by the generator. Then, unplug the items from the generators receptacles and allow the generator to cool. Once youve done this, it is safe to turn the generator off. NEVER turn the generator off while loads are applied.

<http://www.hotel-margherita.com/wp-content/plugins/formcraft/file-upload/server/content/files/1627053e2f139c---boss-mr800-manual.pdf>

Refer to the Generator Loads section of your owners manual for complete instruction on adding and removing electrical devices. For example, if you are adding two electrical devices, plug one into a red outlet and the other into a blue outlet rather than two red or two blue outlets. This will help balance the loads on the generator. NOTE This only applies to models with extension cords. Proper grounding also helps dissipate static electricity which often builds up in ungrounded devices. The

National Electric Code requires that the frame and externally conductive parts of this generator be properly connected to an approved earth ground. Local electrical codes may also require proper grounding of the unit. However, local codes may vary widely. Consult with a local electrician for grounding requirements in the area. The highest priority is to maintain a proper oil level. Each time you add fuel, check the oil level as well. Add oil, if necessary, to keep the level at the upper mark on the dipstick. See the Checking Oil Level and Adding Fuel sections of your owners manual for complete instructions on adding fuel and oil. Instructions are covered in the Valve Clearance Adjustment section of your owners manual. However, if you are uncomfortable performing this service procedure, have your dealer maintain the generators valve clearance at the intervals specified. The engine will run at full speed in order to accept any immediate loads. Some of the new XP and XT models do offer idle control. We do not offer a kit or recommend making any changes to the generator or exhaust system, as that can void the warranty and UL listing. Making any changes can void the generator warranty. Two Generac GP models, the 15,000 and the 17,500 and all electric start XP models charge their batteries while operating. Generac electric start generators, except those two GP models come with an external charger.

The customer should charge the battery at least once a month for 2448 hours in preparation for usage. If the battery is dead, most of the portables have a recoil backup pull start. In emergency situations, the customer can charge the battery by plugging the charger cord into the receptacle on the generator while it is running. This is not recommended for typical operation. The charger should be connected for no longer than 48 hours. What is the procedure for replacing a battery The oil should always be checked and filled when your engine has cooled completely. What are my options It can be mineral, semisynthetic or synthetic. Any of the following viscosities are permissible SAE 5W30, 10W30, 10W40, 20W50, 30 OR 40 weight. Change the oil as soon as possible using Generac oil, per the owners manual recommendations.

<http://www.raumboerse-luzern.ch/mieten/3x8-norstar-manual>