

File Name: covatutto 20 manual.pdf

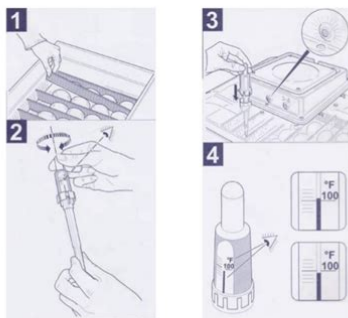
Size: 1339 KB

Type: PDF, ePub, eBook

Category: Book

Uploaded: 15 May 2019, 19:56 PM

Rating: 4.6/5 from 699 votes.



Status: AVAILABLE

Last checked: 19 Minutes ago!

In order to read or download covatutto 20 manual ebook, you need to create a FREE account.

[**Download Now!**](#)

eBook includes PDF, ePub and Kindle version

[Register a free 1 month Trial Account.](#)

[Download as many books as you like \(Personal use\)](#)

[Cancel the membership at any time if not satisfied.](#)

[Join Over 80000 Happy Readers](#)

Book Descriptions:

We have made it easy for you to find a PDF Ebooks without any digging. And by having access to our ebooks online or by storing it on your computer, you have convenient answers with covatutto 20 manual . To get started finding covatutto 20 manual , you are right to find our website which has a comprehensive collection of manuals listed.

Our library is the biggest of these that have literally hundreds of thousands of different products represented.



Book Descriptions:

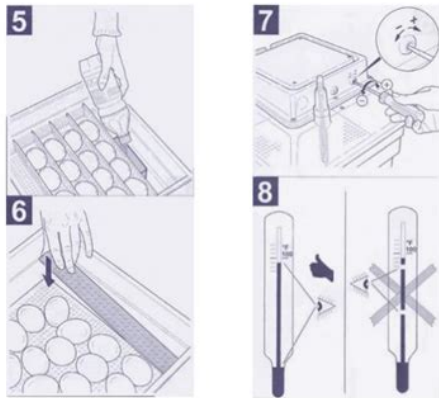
covatutto 20 manual



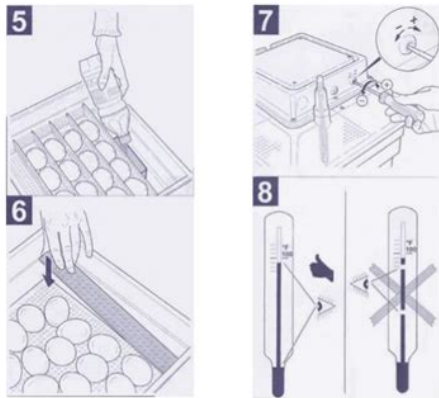
If you will continue with your route, or find out more information about cookies. You must select at least 1 quantity for this product. The warm and humid air recreated from the incubator is well distributed through a fan positioned at the top of the machine; equipped with external water tank with saves impurities lid, the filling is simple and fast to maintain a constant humidity. Safe, silent, from easytouse, can incubate safely all kinds of eggs. MAX CAPACITY EGGS BY SPECIES 140 quail, Partridge, Hen 54 84, 60 Guinea fowl, pheasant, Turkey 62 60, duck, goose, 40 rose 15. There is 1 item in your cart. Aviform Aviol Backs Belgica De Weerd Beute Beyers Colombine BasseCour Alimentation Dindon Food Graines Simples Oiseaux aquatiques Oiseaux Coureurs Oiseaux dOrnements Poules Pondeuses Poulet de chair Volaille Soins Care Complement Alim. Quantity The minimum purchase order quantity for the product is 1 Add to cart Print Weight By buying this product you can collect up to 19 loyalty points. Incubator manual with electronic thermostat, regulating a light bulb special of 40 Watts. Height 29 Cm Weight 1.5 Kg Diameter 25 Cm Questions Send us your question Be the first to ask a question about this product. By continuing your visit to this site, you accept the deposit of cookies to personalize the content and advertisements, provide social media features and analyze our audience. You can change the settings of cookies at any time. Learn more Ok, jaccepte Close. You must have JavaScript enabled in your browser to utilize the functionality of this website. Unfortunately, due to the lockdown circumstances we cannot guarantee delivery within these timeframes and your dispatch may take up to 10 working days. Check your postcode to see if your region falls within our standard shipping rate. The shipping cost will be automatically added to your grand total below. There will be a cost to collect the item, please see full return details. All Rights

Reserved. <http://metabolit-plus.ru/files/file/fitting-a-manual-boost-controller.xml>

- **novital covatutto 20 manual, incubatrice novital covatutto 20 manuale, covatutto 20 manual, covatutto 20 manual pdf, covatutto 20 manual download, covatutto 20 manual free, covatutto 20 manual online.**



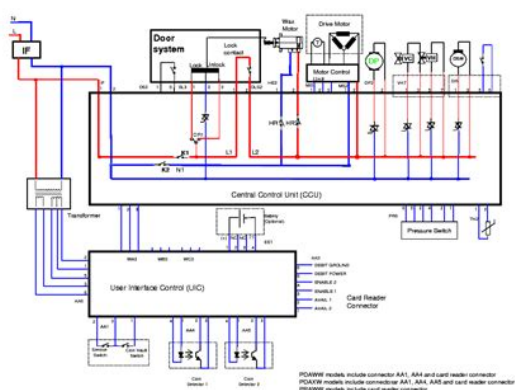
Explore 0 Description 16 Egg manual turn incubator. Imported from UK. This beginners incubator is ideal for people just starting or theHeat is provided by aTakes up to 16 hen eggs. Supplied with easy to read thermometer. Wed love to help you out. Already during the first months of the year, many farmers start incubating chicken eggs. By means of this article, I would like to show you how to use our Covatutto 16L Digital automatic incubator at best. The Covatutto 16L Digital automatic is a small incubator, which is particularly suitable for those who start to deal with poultry. This device is simple to use and reliable; it requires little attention and care, allowing the incubation of chicken, quail, turkeys, goose, ducks in an effective way. Why 16L This device was calibrated by using eggs selected for industrial incubators. This Covatutto model can contain up to 16 eggs of a 40x50mm size and up to 14 eggs having a 43x50mm size. If you rear bantam chicken breeds, which lay smaller eggs, the device may contain more eggs; on the contrary, if your hens lay larger or longer and narrower eggs, the device may contain less eggs. The icon on the top left corner and the relevant LED show the expected egghatching time 1; the central icon on the left reminds when you have to check if it is necessary to add water 2; the lower icon on the left allows switching the eggturning device 3 ON or OFF. The arrows on the right of the display 4 allow modifying the parameters of the incubator and accessing the menus. Place the incubator on a raised console. If you place a thin polystyrene sheet under the incubator, it will assure increased insulation from the supporting surface. Take this aspect into consideration when you have to decide the room where you want to place the device. Therefore, according to the intended use of the device, you must decide if and how to install the eggturning device. Let's see the three available options.<http://15441707.com/data/board/20201014011142.xml>



After you switch the device ON, press the button in the low left corner of the display in order to activate the eggturning device. Twice a day, lift the cover and manually rotate the eggturning device until all eggs have been turned. When you place the eggs in the incubator, use a pencil to mark number 1 on one side of the egg and number 2 on the opposite side. Place all eggs with number 1 facing upwards, and then, after about 812 hours, remove the cover from the incubator and turn the eggs so that the side marked with number 2 faces upwards. After that, continue every day by alternating sides 1 and 2 upwards. In all three cases, after 18 incubation days, you must stop turning the eggs and prepare yourself for the hatching phase. However, we will examine this step later. Place the bottom of the incubator on the supporting surface, and then put the central body of the device on it. If you decided to use the automatic or semiautomatic mode, it is time to install the eggturning device on the pin. Add water to pan number 1 on the bottom until it is full, and then close the cover of the topup pan that is builtin in the body. If you decide to use the automatic eggturning device, make sure that the lightblue pin on the cover exactly engages into the handle of the eggturning device. Now you're ready to incubate chicken eggs! Press the key in the low left corner, the automatic eggturning device will start operating; if you do not switch OFF the eggturning device manually, it will automatically stop three days before the expected egg hatching date that was set. So do not worry, it is their normal operation. When the desired temperature value is reached, it will be kept until the end of the incubation. Leave a sufficient space so that they can turn quite freely, otherwise if they are too close, there is the risk that they can crack or break due to the automatic or manual eggturning device. If, despite all your care, some eggs may crack, remove them in a prompt way.

You can easily modify the aforesaid parameters in the display after switching ON the device. You can set a maximum incubation of 40 days. Within the following 5 seconds, simultaneously press the two arrows on the right of the display; the wording F01 will be displayed. The LED in the central icon on the left of the display will periodically remind that you have to check the water in the central pan. Top it up when necessary. You can candle the eggs on day 6. Remember that you have to disconnect the plug of the device before opening it. If you find nonfertilised eggs or eggs that have a bad smell,

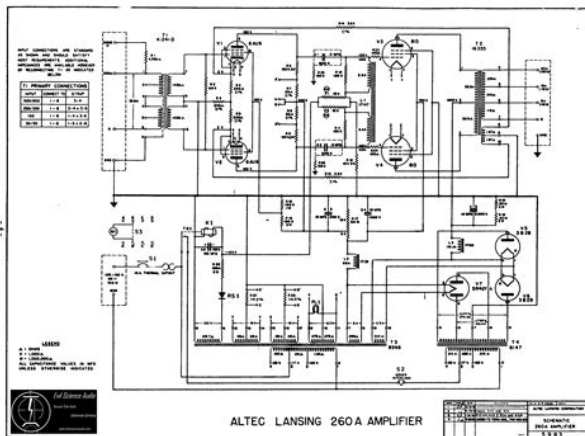
remove them. After you candle the eggs, reinstall the cover in the device and reconnect the plug. The short shutdown of the cover will not delete the data from the memory and the eggturning device will automatically stop on day 18. If you used the automatic eggturning device and the incubator is set in a correct way, the eggturning device will stop automatically. Otherwise, to be sure, just press the button in the low left corner of the display. If, on the contrary, you decided to incubate in manual or semiautomatic mode, you must stop turning the eggs twice a day. After that, add water also in the second pan on the bottom until it is full. During the last three days, you must keep the device as closed as possible not to disturb the eggs. Make sure that the eggs are arranged in horizontal direction and that their pointed pole is not facing upwards. Sometimes, if you incubate chicken eggs of bantam breeds, the egg may hatch already on day 20 or even on day 19. Obviously, the device will continue to keep the set temperature value also longer than the expected hatching term, until you switch it OFF. When the chicks are born, leave them in the incubator for 24 hours, so that their down perfectly dries, and then move them into a heated chickenbrooding house or into a cage with an artificial broody hen. Pictures of Alessandro Capacci, Andrea Mangoni, Baragan Gigi Robert.



<http://schlammatlas.de/en/node/22423>

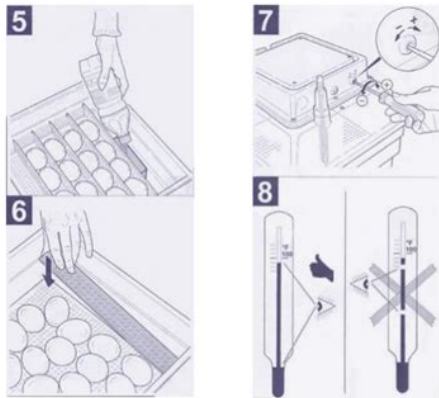
If you use it in a correct way, it will allow hatching chicks of hens, ducks, turkeys, geese and many other species. In case of any doubts, please do not hesitate to call our Customerservice department or send a message to our Facebook page, we will try to solve your problems and clarify any doubt. Please share your experience and the pictures of your chicks in our Facebook page. Welche Cookies wir nutzen und die Möglichkeit sie zu deaktivieren findest du in unseren Cookie Richtlinien. Weitere Informationen findest du in unserer Datenschutzerklärung. Finde unten ähnliche Produkte. Das konnte dich auch interessieren boxspringbett 180 200 boxspringbett 180 x 200 lattenrost 90 200 Ahnliche Produkte Chair 20 20,00 Available at our Blaenavon showroom for collection or LOCAL delivery only. Tried it but not for me. Collection only 20 Xmas lights 3,00 20 icicle lights does work had an clear out can post 20 marley roof tiles 25,00 20 marley roof tiles good condition collection only Size 20 clothes bundle 5,00 Size 20 clothes bundle 1 dress, 2 tops 1 new with tags. 5 for all. Collection from st george St.Tropez 2 for 20 12,00 RRP 22 each. St. Tropez self tan purity vitamins face serums available. Size 20 coat. 7. Collection from st george 20 High gloss boxes 10,00 20 gloss boxes 27x26x10 cms, silk lined with insert that can be removed or cut ideal gift box some have slight marks. New size 2022 11,00 Collection Hereford 20 Assorted drinking glasses 3,00 20 assorted drinking glasses, no chips or cracks ideal for festive parties. Paid over 200 will last 12 months stone grinding disc 20 available 2,50 Brand new microwave shelf, brand new. 20 20,00 Microwave shelf. Brand new, never been used. We support cancerhomeless mental health And NHS and other worthy causes and 20% PROFITS goes to the NHS. Free delivery. Thank you for your support take care Self Tan Drops 2 for 20 12,00 RRP 20 each. Light, medium and dark tanning drops available.

<https://ohsawamacrobotics.com/images/98-eclipse-manual-trans.pdf>



Give me a message if you're like to buy thank you ! Verkauftes Produkt Zum vorherigen Produktfoto wechseln Zum nachsten Produktfoto wechseln Beschreibung Had this for quite some time now succesfully hatched both chickens and larger water foul geese,works 110% comes with operational manual deviders tray and thrmometer just not being used no more Had this for quite some time now succesfully hatched both chickens and larger water foul geese,works 110% comes with operational manual deviders tray and thrmometer just not being used no more. Incubator covatutto 20 15,00 Sold NP24 Phillipstown Teilen Teilen Beschreibung Had this for quite some time now succesfully hatched both chickens and larger water foul geese,works 110% comes with operational manual deviders tray and thrmometer just not being used no more Had this for quite some time now succesfully hatched both chickens and larger water foul geese,works 110% comes with operational manual deviders tray and thrmometer just not being used no more. will P. 40 Number of items sold 9 Verkaufe Number of items bought 33 Kaufe Sign up date seit 2017 Aktivitaten Verkauft an Duane P. Datum gelistet Produkt wurde am 29.9.2017 eingestellt Produkt melden Produkt melden Was ist Shpock.Aber auch in Karnten, Salzburg, Vorarlberg, dem Burgenland und der Steiermark finden User auf der Marktplatz und Kleinanzeigenplattform viele Angebote. This allows you to incubate all types of eggs. It is equipped with an automatic egg turning system, with digital controls to monitor and adjust the temperature and also showing days until hatch. The integrated tank for water allows you to refill externally without having to open the main incubating section. The automatic egg turner gives you the freedom of not having to think about manual rotation of the eggs. The digital display will remind you when to refill the water tank for humidity and three internal bulbs ensure uniform heating.

<https://www.indianantique.com/images/98-eclipse-manual-transmission-fill-plug.pdf>



The Covatutto 16L Digital is simple to use, compact and designed for both hobbyists and professionals alike. Ill owe you a HUGE favour Fairly simple operation with a water reservoir at the back, egg spacers going from left to right in adjustable slots and a sliding floor operated by a manual rod at the front for egg turning. Sorry i can not be of more help but it was a loooong time ago. Cannot remember what i did about the gap, perhaps the dividers came out and layed across to fill it just before hatching. You will still need air flow over the reservoir and be able to fill it when you stop turning the eggs at 18 days. Close to Burpengary preferred. Peacock. Geese. Turkey. Pheasant. Bantam appleyard. Plymouth Rock. Or anything other than the standard chicken. Thanks. These diy kits are brand new and never been used. Still wrapped in their plastic although the boxes are a little dog eared due to being moved around in the cupboard constantly. Has all intentions of making my own cheeses but never did and its time to move them on to someone who will enjoy making their own fresh cheese. These kits are used for making both cheese and yoghurt. In this model, the accuracy has been optimized for CO2 concentrations up to 10% CO2. Only the best. My fertile egg fertility rate is around 80% min to 90%. Silver laced. Gold laced. Splash. White. Silver laced. Blue double laced. Black. Gold laced. Brown laced. Double laced gold. Double laced brown. I have for sale fertile xbreed chicken eggs from my free ranging mixed flock. A wonderful mix of small to medium size hens with eggs in lots of colours including brown, white, cream, blue and olive. A true surprise when the chicks hatch but all gorgeous. The hens grow on to be fantastic egg layers. Chicks in the photos hatched late August. Perfect for either incubators or popping under a broody hen. Text or message before 7 pm can try phoning but reception is unreliable. Mixed breeds roosters are silkie, belguim deuncle.

Hens are australorpe, wyndottes, red hens, araucana, silkie and Rhode Island. Freshly laid. Pick up Broken Head. Or I move around for work in the Byron Shire so let me know your location and I can possibly meet you somewhere. Condition of purchase I do not take responsibility if you get roosters. Hi im looking for fertile duck eggs ready to put into Incubator. The breeds im after are, pekin, khaki campbell, saxony, cayuga, buff orphington, east indian black ducks, indian runner, mallard, appleyards, harlequins, or mixed breed just NOT Muscovy. Delivery or drop off preferred to me in

Laverton. Let me know what u have fertilty rate and dates and price. Currently have 1 dozen eggs in the incubator. Will have poults for sale also in a months time. If you have or know anybody who has fertile mandarin duck fertile eggs to hatch in incubator, please message via gumtree or my contact number. These are fertile eggs for hatching. The last batch I put in the incubator was 96% fertile. 49 out of 51 The hens are a complete mix. Araucana, black australorp, Isa brown, bantam and a few others. The roosters are a frizzle and a Wyandotte plus one Im not sure of. None are purebred and I cannot separate eggs to be specific breeds. They will be ideal to be hatched in an incubator. Price is firm. Parents on the photos. If interested call or text. I am in Moonee Ponds. All my chickens free range together so no pure bred. Splash Wyandotte. Aracuana. Brahma. Silver laced blue. Great hair curler. Easy to use. Lightweight. Great condition. They are easy to use. Easy way to curl hair. It involves using plastic hot sticks to curl hair, heating them in a special incubator type container that keeps them hot. This setup gives the user more control over the results that they get, making ringlets or large, bouncy curls much easier to achieve. REMINGTON FLEXI CURLS barely used in original box They are easy to use. Easy way to curl hair.

<http://www.champcaregivers.com/wp-content/plugins/formcraft/file-upload/server/content/files/1628693600a273---Ca-dss-manual.pdf>

It involves using plastic hot sticks to curl hair, heating them in a special incubator type container that keeps them hot. This setup gives the user more control over the results that they get, making ringlets or large, bouncy curls much easier to achieve. Located at Camberwell. Ground raising your quail is gaining popularity among hobbyists. Well, some convincing reasons listed below This microscope set includes everything you need to get started with exploring the world in an easy to carry durable case. Start viewing right away with the included prepared slides, or use the blank slides to view everyday items from around your house. Vents in end. Can come with what ever reptile equipment I still have as well. Har du inget konto gar det bra att registrera ett eller logga in med Facebook har. Det kostar inget. Sa jag har lite fragor 1.Ska det fyllas vatten till markeringen i vattenbehallaren 2.Hur ofta fyller man vatten 3.Hur ofta ska aggen vandas 4.Ska man vanda till dag 17 el 18 star olika pa olika stallen pa natet 5.Hur lange ska den sta pa innan man kan lagga i aggen Far a vite hvor mye vann og hvor ofte du ma etter fylle, er det lurt a ha et Hygrometer. Pa den maten ser du om du har for mye eller lite vann oppi. Eggene kan du vende min. 2 ganger om dagen. jeg bruker 3 4 Dag 18 tar du ut skille veggene og slutter a vende de. Du oker ogsa vann mengden sa den ligger pa ca. 80% luftfuktighet. Du kan legge eggene rett i klekkern. Er det egg du har spart og vendt pa i kjoleskapet kan du legge de i klekkern uten a skru den pa og la den sta ca.Sa kan du sette pa klekkern. Det er lurt a finne ut hvilken dager man er hjemme i forhold til hvilken dag klekkingen skal skje. Sett den gjerne pa en lordag eller sondag kveld hvis du har fri i helgene da. Pa den maten kan du sitte i fred a ro a se pa nar kyllingene kommer ut av eggene. Far a fa best mulig klekke resultat er det viktig a ikke lofte pa lokket den siste tiden.

Da forsvinner det masse fuktighet og tempen synker og kyllingene blir liggende inni eggene sine i steden for. Lykke til Sen ska den sta en timme till innan man laggar i aggen. Fyll pa vatten varannan dag. Vand minst morgon och kvall, garna oftare. Fyll pa med LJUMMET vatten nastan till kanten. Dra alltid ur kontakten innan du oppnar den. Nar det ar tre dagar till klackning ska du fylla pa vatten, lagga ner mellanvaggarna och placera dem sa kycklingarna inte kan trilla ner till botten, om du forstar vad jag menar. Oppna sedan inte klackaren under dessa ter dagar. Lat kycklingarna vara kvar 24 timmar efter att de har klackts. Lycka till! Fick helt annat resultat 38, 6. Kanske ar det for mycket Ett 5 ar gammalt nummer ar lika anvandbart nu som nar den kom ut.Logga in eller registrera dig.

<https://labroclub.ru/blog/boss-me-30-manual-pdf>